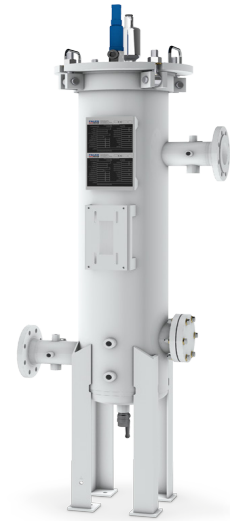


Qualified to specification EI 1581 6th Edition, Category C, Type S

The filter/water separator FW9-S is designed to be compliant with procedural guidelines, applicable legal regulations and requirements of the pressure vessel regulation AD2000. Additional pressure vessel standards can be met with these assemblies as well. The filter vessels incorporate flat sealed coalescer elements and reusable separator elements.



Application Area

- Vertical filter vessels for fixed and mobile installation

Technical Data

- Design pressure: Designed to pressure requirements
- Flow rate: Up to 330 lpm (87 USgpm)

Standard Design

- Material: Carbon steel (other version on request)
- Interior: Epoxy coating according to EI 1541
- Exterior: Prime coated
- Cover seal: NBR (Buna-N)

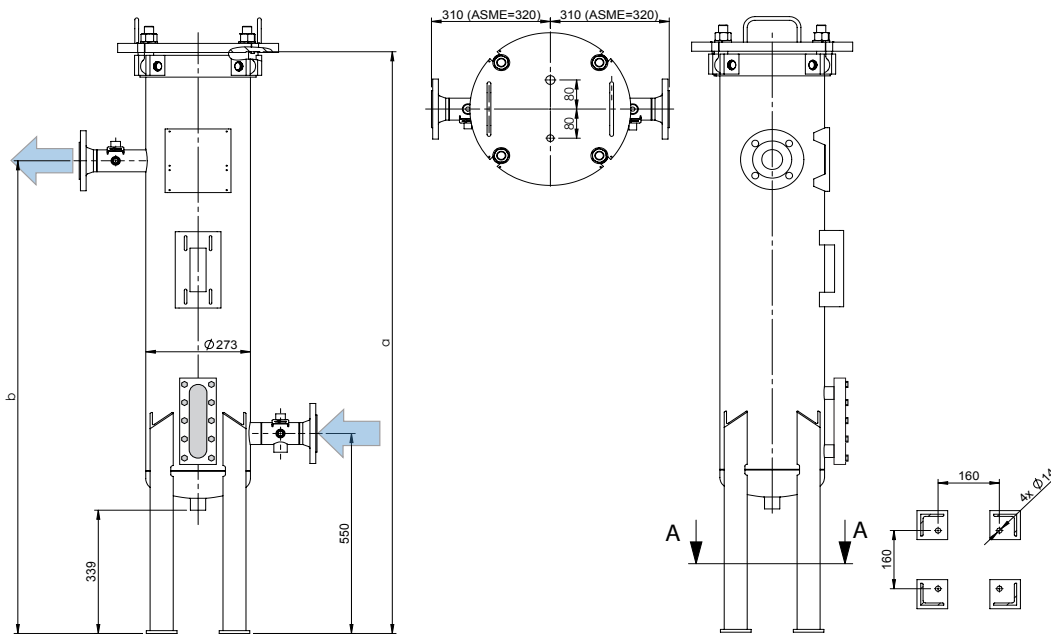
Recommended Accessories

- Differential pressure gauge
- Manual drain valve
- Automatic air eliminator
- Pressure relief valve
- Sump heater
- Electronic sensors

Order Reference

Vessels		Coalescer Elements		Separator Elements		Flow Rates	
Model No.	Model	Quantity	Model	Quantity	lpm	USgpm	
FW9-S-1-362	P.3-362	1	FW9-S-1(362)	1	134	35	
FW9-S-1-467	P.3-467	1	FW9-S-1(467)	1	177	46	
FW9-S-1-565	P.3-559	1	FW9-S-1(565)	1	217	57	
FW9-S-1-727	P.3-727	1	FW9-S-1(727)	1	283	74	
FW9-S-1-842	P.3-842	1	FW9-S-1(842)	1	330	87	

Dimensions



Model No.	Connections		Dimensions in mm		
	DIN	ANSI	Ø	a	b
FW9-S-1/362	DN 50	2"	273	1.120	900
FW9-S-1/467	DN 50	2"	273	1.225	1.000
FW9-S-1/565	DN 50	2"	273	1.325	1.100
FW9-S-1/727	DN 50	2"	273	1.485	1.200
FW9-S-1/842	DN 50	2"	273	1.600	1.300

Dimensions are for estimating purposes only